

Panasonic®

Mini Cassette Recorder

RQ-L349

RQ-L319

Operating Instructions

The serial number of this product can be found inside of the battery compartment. Please note them in the space provided below and keep as a permanent record of your purchase to aid identification in the event of theft.

MODEL NUMBER _____

SERIAL NUMBER _____

Matsushita Consumer Electronics Company, Division
of Matsushita Electric Corporation of America
One Panasonic Way Secaucus, New Jersey 07094

Panasonic Sales Company, Division of Matsushita
Electric of Puerto Rico, Inc. ("PSC")
Ave. 65 de Infantería, Km. 9.5 San Gabriel Industrial Park,
Carolina, Puerto Rico 00985

Matsushita Electric of Canada Limited
5770 Ambler Drive, Mississauga, Ontario L4W 2T3

Before connecting, operating or adjusting this product, please read these instructions completely. Please save this manual.

Printed in Taiwan

RQTT0201-1P
F0296L0

P PC

Supplied Accessories (Only for RQ-L349)

- Rechargeable batteries (RP-BP60PY) 2
AC adaptor/charger (For U.S.A.: RP-BC124PY) (For Canada: RP-BC124PCY) 1



- Rechargeable battery carrying case (RFCT0002-H) 1

(Only for U.S.A.)

To order accessories call MSC Accessory Dept.
1-800-332-5368.

**THIS PHRASE IS APPLIED ONLY
FOR U.S.A.:**

**POWERED BY NICKEL-CADMIUM BATTERY.
MUST BE RECYCLED OR DISPOSED OF
PROPERLY.**

ATTENTION:

The product that you have purchased is powered by a rechargeable battery. The battery is recyclable. At the end of its useful life, under various state and local laws, it may be illegal to dispose of this battery into the municipal waste stream.

Check with your local solid waste officials for details in your area for recycling options or proper disposal.



**MATSUSHITA CONSUMER ELECTRONICS
COMPANY, DIVISION OF MATSUSHITA
ELECTRIC CORPORATION OF AMERICA**
One Panasonic Way Secaucus
New Jersey 07094

ONLY FOR U.S.A.

**PANASONIC SALES COMPANY, DIVISION
OF MATSUSHITA ELECTRIC
OF PUERTO RICO, INC. ("PSC")**
Ave. 65 de Infantería, Km. 9.5
San Gabriel Industrial Park
Carolina, Puerto Rico 00985
Tel. (809) 750-4300
FAX. (809) 768-2910

Panasonic Limited Warranty

Matsushita Consumer Electronics Company or Panasonic Sales Company (collectively referred to as "The warrantor") will repair this product with new or refurbished parts, free of charge, in the U.S.A. or Puerto Rico from the date of original purchase in the event of a defect in materials or workmanship as follows:

For one (1) year—Radio, Clock Radio, Radio with Tape Player or Recorder

For ten (10) days—Batteries—(when applicable)—New rechargeable batteries in exchange for defective rechargeable batteries. Non-rechargeable batteries are not warranted.

For assistance in the U.S.A. in obtaining repairs contact:

**Matsushita Services Company
Panasonic PLUS Department
20421 84th Avenue South
Kent, WA 98032
Phone: 1-800-833-9626
FAX: 1-800-237-9080**

If repair is needed, during the warranty period the purchaser will be required to provide a sales receipt/proof of purchase indicating date of purchase.

Also, the purchaser will be responsible for shipping the unit to the above address. This warranty is extended only to the original purchaser.

For assistance in Puerto Rico contact, Panasonic Sales Company at the address or telephone number above.

This warranty only covers failures due to defects in materials or workmanship which occur during normal use and does not cover damage which occurs in shipment or failures which are caused by products not supplied by the warrantor or failures which result from accident, misuse, abuse, neglect, mishandling, misapplication, faulty installation, set-up adjustment, improper maintenance, alteration, improper antenna, inadequate signal pick-up, maladjustment of consumer controls, modification, line power surge, or commercial use of the product, or damage that is attributable to acts of God, or service by anyone other than an MSC Factory Servicenter.

LIMITS AND EXCLUSIONS

There are no express warranties except as listed above.

THE WARRANTOR SHALL NOT BE LIABLE FOR INCIDENTAL OR CONSEQUENTIAL DAMAGES RESULTING FROM THE USE OF THIS PRODUCT, OR ARISING OUT OF ANY BREACH OF THIS WARRANTY, INCLUDING WITHOUT LIMITATION, DAMAGE TO TAPES, RECORDS OR DISCS. ALL EXPRESS AND IMPLIED WARRANTIES, INCLUDING THE WARRANTIES OF MERCHANTABILITY, ARE LIMITED TO THE APPLICABLE WARRANTY PERIOD SET FORTH ABOVE. Some states do not allow the exclusion or limitation of incidental or consequential damages, or limitations on how long an implied warranty lasts, so the above exclusions or limitations may not apply to you.

This warranty gives you specific legal rights and you may also have other rights which vary from state to state.

If a problem with this product develops during or after the warranty period, you may contact your dealer or Panasonic PLUS Department. If the problem is not handled to your satisfaction, then write to the Customer Satisfaction Center at the company address above or call 201-348-9090.

Care and Use

- Avoid using or placing this unit near sources of heat. Do not leave it in an automobile exposed to direct sunlight for a long period of time with the doors and windows closed, as this may deform the cabinet.
- If the set is not used for a long period of time or is used only from an AC power supply, remove the batteries to prevent potential damage due to possible battery leakage.

Cassette tapes

Improper tape storage

You can damage tape if you store it in the following ways:

- In high temperature or high humidity areas
- In a strong magnetic field (near a speaker, on top of a TV, etc.)
- In direct sunlight

Cassette tapes of 100 minutes or longer:

These tapes are handy for their long playback and recording time but be careful about repeatedly stopping and starting, rewinding and fast forwarding these tapes in short intervals as they are thin, tend to stretch and may become entangled in the deck mechanism.

Endless tapes

Failure to operate these tapes correctly may cause the tape to wind around the revolving parts.

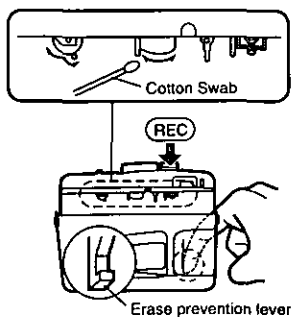
Maintenance

Head care

To ensure good sound quality for tape operation, be sure to clean the head after approximately every 10 hours of use.

Clean it with a cotton swab dampened with a little alcohol.

Do not bring metal articles or magnetic material such as a screwdriver, near the head assembly.



It is recommended that the head assembly be demagnetized if distortion or poor sound quality persists after cleaning the heads. Demagnetize them using a demagnetizer available from an audio store.

Main unit

Clean it with a cloth, dampened in a mild solution of soap and water.

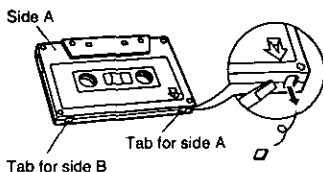
Do not clean the cabinet with benzine or thinner.

Avoid excessive moisture.

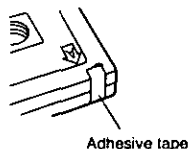
Avoid spray aerosol type cleaner. Some cleaners contain corrosive chemicals that may cause internal damage and cabinet deformation.

Record prevention

Removing the tab(s) of the cassette (with a small screwdriver) will prevent accidental erasure.



To record again, cover the hole of the tab with adhesive tape.



Listening caution



Do not play your headphones or earphones at a high volume. Hearing experts advise against continuous extended play.

If you experience a ringing in your ears, reduce volume or discontinue use.

Do not use while operating a motorized vehicle. It may create a traffic hazard and is illegal in many areas.

You should use extreme caution or temporarily discontinue use in potentially hazardous situations.

Even if your headphones or earphones is an open-air type designed to let you hear outside sounds, don't turn up the volume so high that you can't hear what's around you.

Sound can be deceiving. Over time your hearing "comfort level" adapts to higher volumes of sound. So what sounds "normal" can actually be loud and harmful to your hearing.

Guard against this by setting your equipment at a safe level BEFORE your hearing adapts.

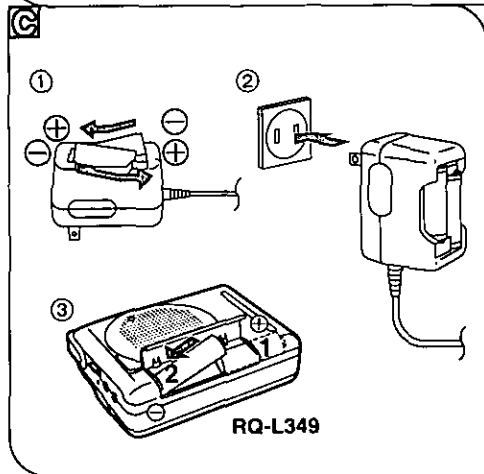
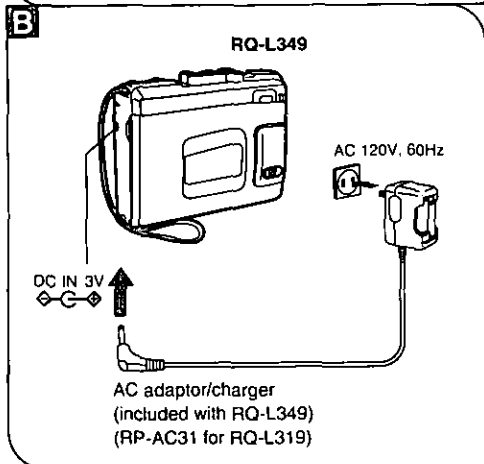
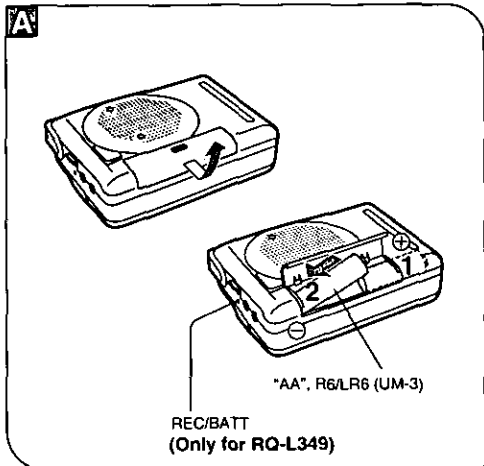
To establish a safe level:

- Start your volume control at a low setting.
- Slowly increase the sound until you can hear it comfortably and clearly, and without distortion.

Once you have established a comfortable sound level:

- Set the dial and leave it there.

Power Source



Dry cell batteries **A**

Insert two "AA" size (R6/LR6, or equivalent, not included) batteries.

Batteries installed with incorrect polarities may leak and damage this unit.

Replace with fresh batteries of the same kind, observing polarity.

Battery removal

Press the ⊕ side toward the ⊖ battery terminal and lift up.

When the batteries are weak

The REC/BATT indicator will become dim or turn off during recording. (RQ-L349 only)

Also the tape speed will slow down, the sound will become distorted, and the volume will decrease.

AC power operation **B**

RQ-L349

Use the included AC adaptor/charger.

RQ-L319

Use the Panasonic AC adaptor RP-AC31 (optional).

- When not in use, disconnect the AC adaptor/charger from the AC power outlet.

Rechargeable batteries (Only for RQ-L349) **C**

For its initial use after purchasing or after a long time interval (more than three months), make sure to recharge the rechargeable batteries. Normally, 2 hours recharging will give approximately 4 hours 30 minutes tape playback.

Recharge the rechargeable batteries, then insert the charged batteries into the unit.

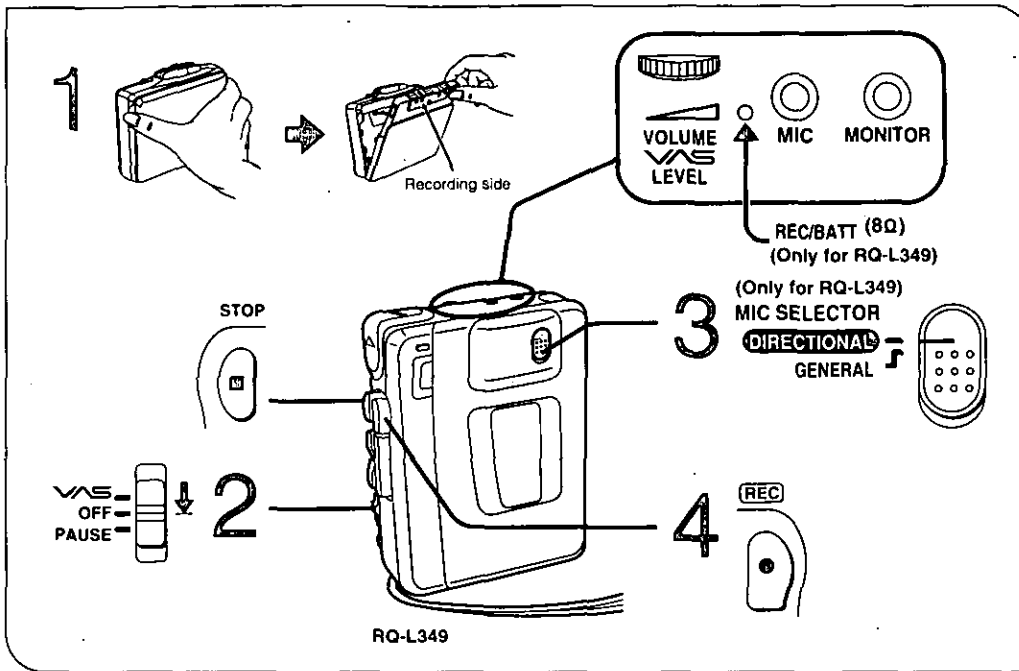
Note:

Do not recharge more than 8 hours at one time, or the rechargeable batteries life may be shortened.

Rechargeable batteries and charger

- Use only the included charger when recharging.
- During recharging, it is normal for the charger and the rechargeable batteries to become slightly warm.
- Avoid recharging or placing the rechargeable batteries near sources of heat or humidity.
- The included rechargeable batteries can be recharged about 300 times. After that, its operation time becomes shortened. That's time for replacing the rechargeable batteries.

Recording



If you ship the product

Carefully pack and send it prepaid, adequately insured and preferably in the original carton. Attach a letter, detailing the complaint, to the outside of the carton.

Do NOT send the product to the Executive or Regional Sales offices. They are NOT equipped to make repairs.

To make a recording

Normal tapes can be used.

The sound may not be recorded properly if high-position tapes and metal tapes are used with this unit.

1. Insert the tape into the compartment.
2. Set VAS selector to "OFF" position.
3. Only for RQ-L349

Select the position of MIC SELECTOR.

GENERAL

To record the sound all around for meeting, etc.

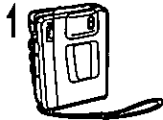
The built-in microphone is omnidirectional, so that recording is available in every direction.

DIRECTIONAL

To record the sound of a specific direction for lecture, interview, etc.

Turn the built-in microphone of this unit to the direction which you want to record.

Direction



4. Press **REC** to start recording.

REC/BATT indicator lights (only RQ-L349).

Use a tape with tabs in place.

The recording level is automatically adjusted.

To record with VAS (Voice Activated System) function

The sound is recorded automatically, so there is no tape waste.

To use VAS function, set VAS selector to "VAS" position in step 2 and adjust VOLUME.

- 1-3: If you wish to record only the louder sounds.
- 4-7: If you wish to record normal level sounds.
- 8-10: If you wish to record lower levels of sound than usual.

No sound is recorded at the "0" position.

To record through the external microphone

Plug the external microphone (not included) into the MIC jack.

Then follow steps 1, 2 and 4 as illustrated above.

To stop recording

Press **STOP**.

To temporarily stop recording

Set the PAUSE selector to "PAUSE" position. To resume recording, set it to "OFF" position.

Follow up recording

Recording can be started during playback by simply pressing **REC**.

Monitoring

The sound can be heard with an optional earphone plugged into the **MONITOR** jack. (Plug type: Monaural mini)

Note:

Do not adjust the volume during recording with the VAS function, or the VAS level would be changed.

Customer's Record

Model No. _____

Serial No. _____
or

Code No. _____

Date of Purchase _____

Dealer's Name _____

Dealer's Address _____

Product Service

Do not attempt to remove the cover(s) or repair the unit yourself. Refer servicing to qualified personnel only.

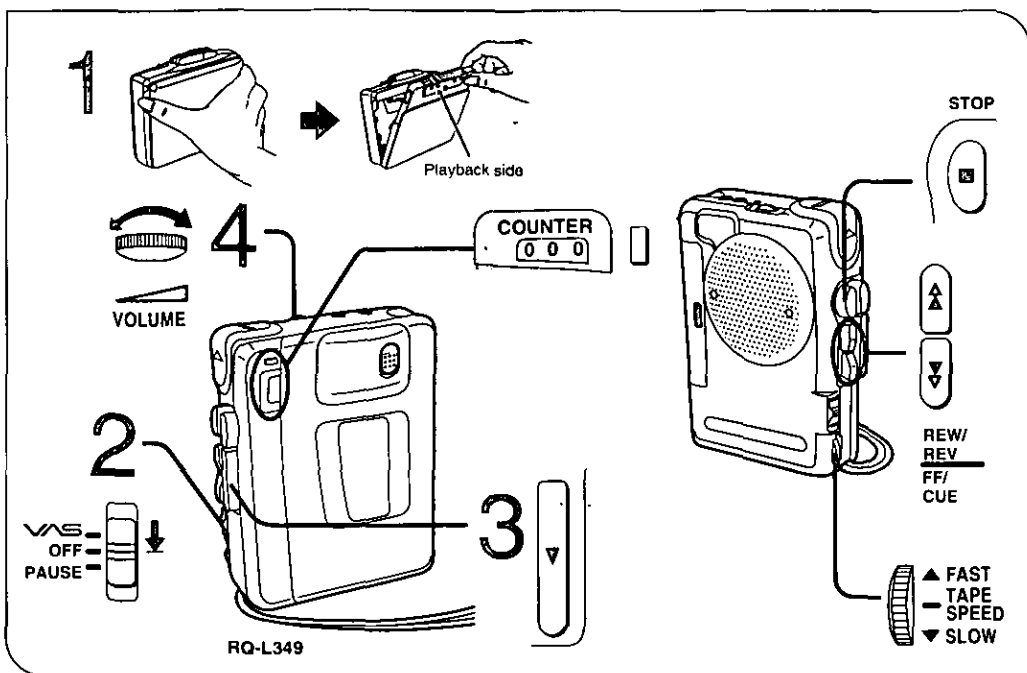
Product information

For product service, product information or assistance with product operation, refer to the servicenter directory.

User memo:

DATE OF PURCHASE _____
DEALER NAME _____
DEALER ADDRESS _____
TELEPHONE NUMBER _____

Playback



To playback the tape

Normal tapes can be used.

Follow steps 1–4 as illustrated above.

■ To stop play

Press **STOP**.

Tape speed control (for playback only)

Using the tape speed control, the playback speed can be changed; you can make the speed slower to playback a part difficult to catch and faster to playback an unimportant part. It is useful to playback a tape which contains a conference or a lecture recording.

When TAPE SPEED is set to the center click position with white mark, the tape is played back with a standard speed.

To fast forward and rewind

Press **FF/CUE** (fast forward) or **REW/REV** (rewind).

■ Auto Stop

During playback or recording, when the tape reaches its end, the automatic stop system will release the playback and record buttons and automatically turn off the unit.

■ Cue and review

Sound can be monitored at a high speed for as long as the **FF/CUE** (cue) or **REW/REV** (review) is held down during playback.

When the button is released, normal playback will start.

Note:

When the tape reaches the end by pressing **FF/CUE** or **REW/REV**, the automatic stop system does not function. The tape will stop, but as the motor continues to turn, do not leave the set in this condition. Be sure to press **STOP**.

■ Tape counter and reset button

The digits return to "000" when the reset button is pressed. The digits advance with the tape to provide a reference to quickly find a desired portion of tape.

Type of tape which can be used:

Normal position/TYPE I	○
High position/TYPE II	×
Metal/TYPE IV	×

This unit will not be able to do full justice to characteristics of high-position tapes and metal tapes even if they are played back.

Troubleshooting Guide

Before requesting service for this unit, check the chart below for a possible cause of the problem you are experiencing. Some simple checks or a minor adjustment on your part may eliminate the problem and restore proper operation.

If you are in doubt about some of the check points, or if the remedies indicated in the chart do not solve the problem, refer to the directory of Authorized Service Centers (enclosed with this unit) to locate a convenient service center, or consult your dealer for instructions.

(In U.S.A. consult MSC Authorized Servicenters for detailed instructions or call 1-800-545-2672 for the address of an authorized factory servicenter.)

Problem	Checkpoint	Remedy
No operations.	Have the batteries been installed with their polarities (⊕, ⊖) reversed?	Install them with their polarities (⊕, ⊖) aligned properly.
No sound.	Is the headphones plug connected to the headphones jack?	Plug the headphones plug into the jack.
No recording.	Have the tape's accidental erasure prevention tabs been broken out?	Cover the holes with adhesive tape.

Technical Specifications

Track system	2 track, monaural	Frequency range	180 Hz–7 kHz (Normal)
Recording system	DC bias, Magnet erase	Tape speed	4.8 cm/s (1 $\frac{7}{8}$ ips)
Monitor system	Variable	Jack	
Power requirement		Input:	MIC; 0.25 mV (150–600Ω)
Battery:	DC 3 V (two "AA" size, R6/LR6 batteries)	Output:	MONITOR; 8Ω
Rechargeable battery:	Only for RQ-L349 DC 2.4 V With two included Panasonic rechargeable batteries (RP-BP60PY)	Speaker	4.5 cm (1 $\frac{3}{4}$ ")
AC:	120 V, 60 Hz Power consumption; 5 W RQ-L349 With included Panasonic AC adaptor/charger RQ-L319 With optional Panasonic AC adaptor RP-AC31	Dimensions (W×H×D)	
		RQ-L349	88.0×115.3×34.7 mm (3 $\frac{7}{16}$ "×4 $\frac{9}{16}$ "×1 $\frac{3}{8}$ ")
		RQ-L319	88.0×115.3×34.6 mm (3 $\frac{7}{16}$ "×4 $\frac{9}{16}$ "×1 $\frac{3}{8}$ ")
		Weight	
		RQ-L349	205 g (7.2 oz.) with rechargeable batteries
		RQ-L319	156 g (5.5 oz.) without batteries

Note:

Specifications are subject to change without notice.

Weight and dimensions are approximate.